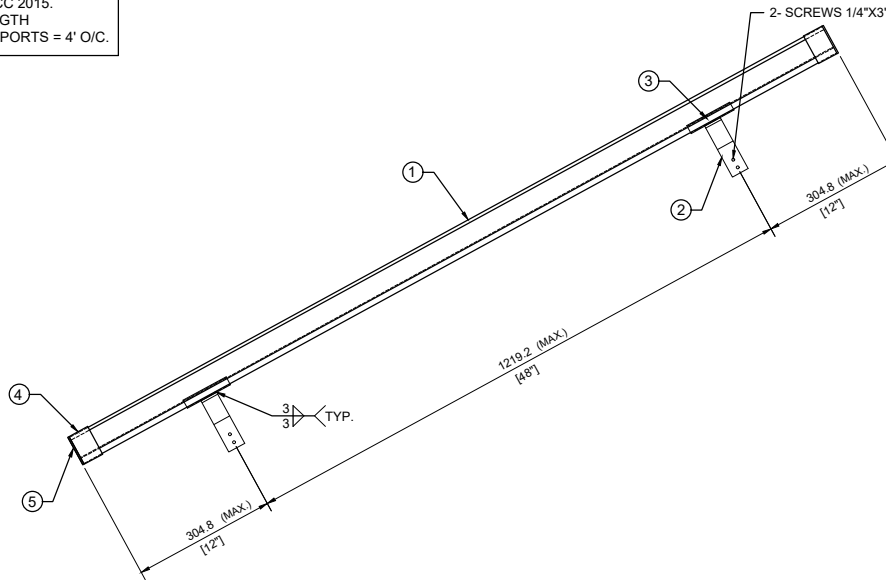


MARK	DESCRIPTION	PROFILE	MATERIAL	LENGTH	QTY
1	Rail	-	6061 - T6	1828.8	1
2	Support leg	BENT PL 4.8X38.1	6061 - T6	164.5	2
3	Connection bar	HSS 19X19X1.2	6061 - T6	104	2
4	End cover	-	6061 - T6	45	2
5	End plate	PL 3.18 x 37.4	6061 - T6	61	2

NOTES:
 1- RAIL DESIGN CONFORMS TO NBCC 2015.
 2- RAILS CAN BE EXTENDED IN LENGTH WITH MAX SPACING BETWEEN SUPPORTS = 4' O/C.



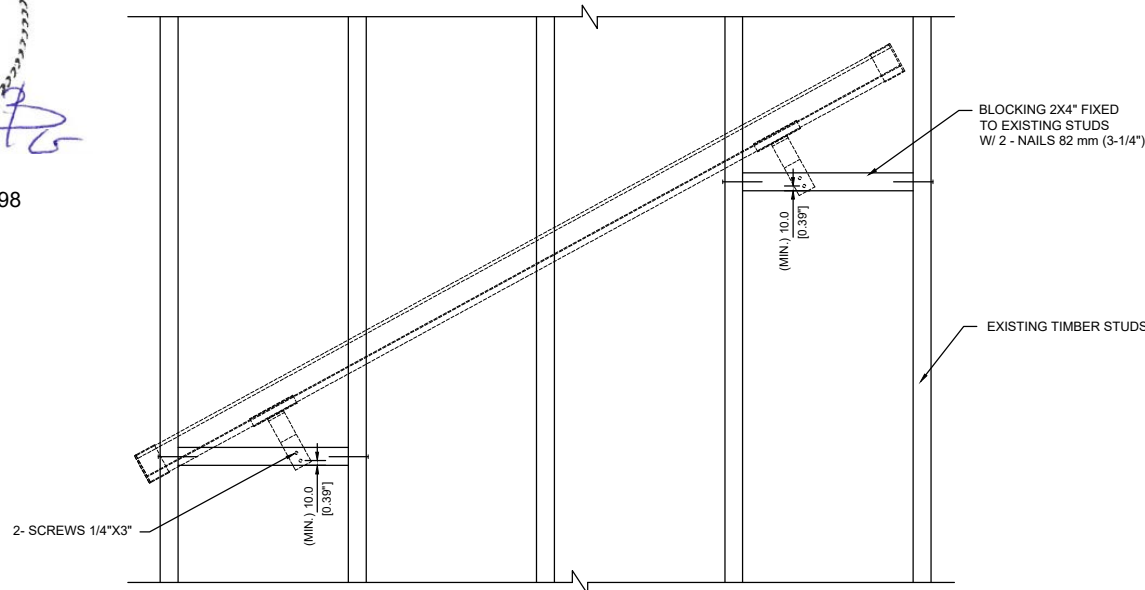
25 SEP 2023
 PERMIT # 15971



25 SEP 2023



25 SEP 2023
 PERMIT # 1001498



23 09 25
 YR. MN. DAY



25 SEP 2023
 PERMIT # 7999

No	DATE	REVISIONS	DRAWN	CHECK
0	25 SEP. 2023	ISSUED FOR FABRICATION	EG	EG

Drawing prepared by:



554 Silverado, SW, Calgary, AB
 Phone: (403) 617-4801
 ehab.girgis@gplusengineering.com
 www.gplusengineering.com

Client :

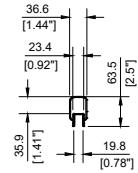
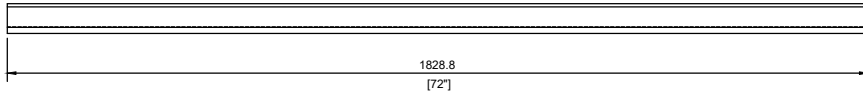
Home-Rail Ltd.

Drawing Title :

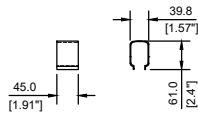
WALL MOUNTED RAIL

Scale :	NTS	Drawing No.	WR1-1	REV.	0
Project No. :	2321				

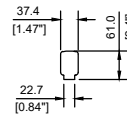
① RAIL
QTY=1



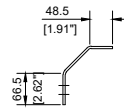
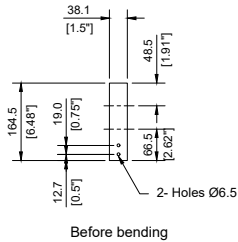
④ END COVER
QTY=2



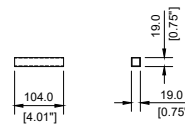
⑤ END PLATE
PL 3
QTY=2



② BENT PL 4.8
QTY=2



③ HSS 19X19X1.2
QTY=2



0	25 SEP. 2023	ISSUED FOR FABRICATION	EG	EG
No	DATE	REVISIONS	DRAWN	CHECK

Drawing prepared by:



554 Silverado, SW, Calgary, AB
Phone: (403) 617-4801
ehab.girgis@gplusengineering.com
www.gplusengineering.com

Client :

Home-Rail Ltd.

Drawing Title :

WALL MOUNTED RAIL

Scale :	NTS	Drawing No.	REV.
Project No. :	2321	WR1-2	0