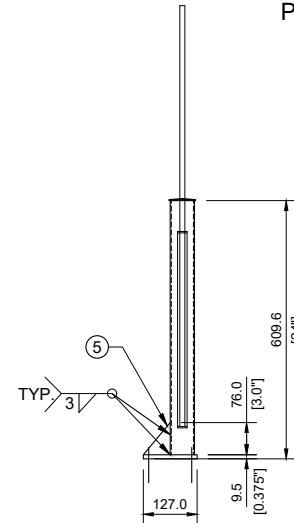
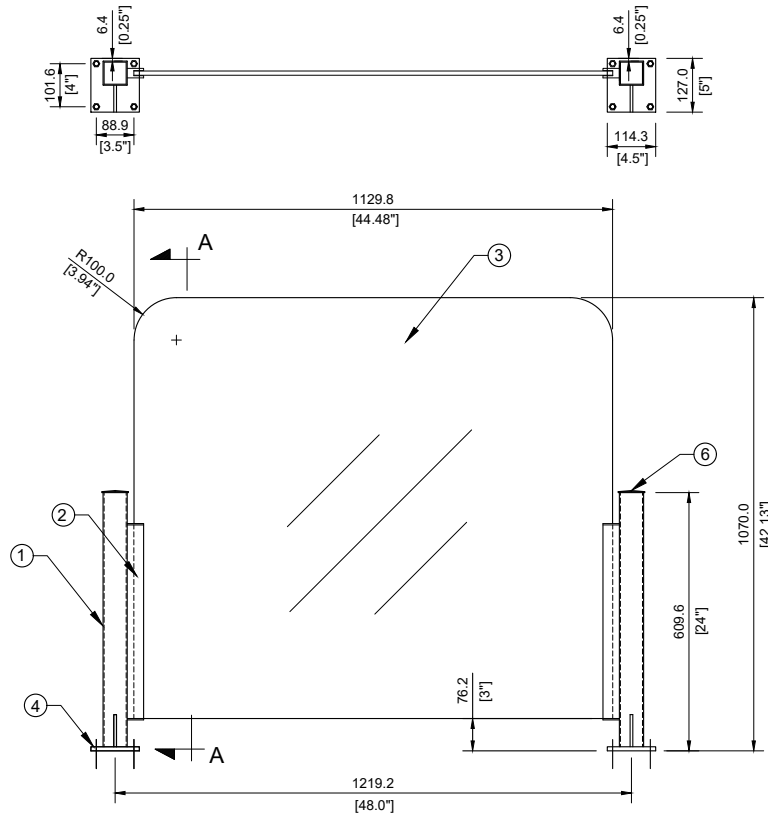


MARK	DESCRIPTION	PROFILE	MATERIAL	LENGTH	WEIGHT (kg)	QTY	TOTAL WT.
1	Post	HSS 57.15X57.15X2.5	6061 - T6	600.1	1.14	2	2.29
2	Bracket	-	6061 - T6	463.5	0.21	2	0.42
3	Glass	12 x 1129.8 x 993.8	Laminated tempered	-	-	1	-
4	Mounting plate	PL 9.5 x 114.3	6061 - T6	127	0.37	2	0.74
5	Stiffener plate	PL 6.35 x 63.5	6061 - T6	76	0.10	2	0.20
6	Post cap	-	6063 - T5	-	0.04	2	0.08
							5.36



ID # 146555
 PERMIT # 15791
 06 MAR. 2023



No	DATE	REVISIONS	DRAWN	CHECK
0	06 MAR. 2023	ISSUED FOR FABRICATION	EG	EG

Drawing prepared by:



554 Silverado, SW, Calgary, AB
 Phone: (403) 617-4801
 ehab.girgis@gplusengineering.com
 www.gplusengineering.com

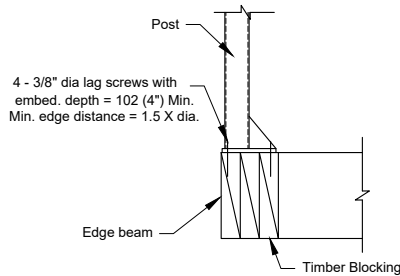
Client :

Home-Rail Ltd.

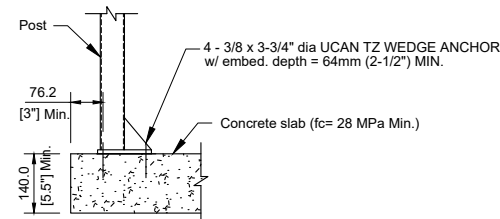
Drawing Title :

**TOPLESS GLASS - 42" HIGH
 TOP MOUNTED**

Scale :	Drawing No.	REV.
NTS	H6-1	0
Project No. :	2304	



TYPICAL TOP MOUNTED DETAIL ON TIMBER FLOOR



TYPICAL TOP MOUNTED DETAIL ON CONCRETE FLOOR